

T3668-80

## POOL ASSEMBLY AND INSTALLATION MANUAL

Monument Above Ground 52" Round Extruded Wall Pools



Note: Deck and fence accessories shown are optional.

THIS MANUAL EXPLAINS THE CORRECT METHOD TO ASSEMBLE YOUR NEW SWIMMING POOL. READ THESE INSTRUCTIONS AND STUDY THE ILLUSTRATIONS. ALSO READ INSTRUCTIONS FOR ACCESSORIES SUCH AS FILTERS, LADDERS, ETC. PAY PARTICULAR ATTENTION TO THE CAUTIONS ON THE FOLLOWING PAGES.

THE MANUFACTURER IS NOT AFFILIATED WITH ANY PROFESSIONAL POOL INSTALLER, THEREFORE THE MANUFACTURER CANNOT ASSUME RESPONSIBILITY FOR ERRORS IN THE INSTALLATION OF YOUR POOL BY THE INSTALLER OR THE HOMEOWNER. IF YOU HAVE THIS POOL INSTALLED BY OTHERS, PLEASE SUPERVISE TO BE SURE YOUR POOL IS INSTALLED PROPERLY AND THAT ALL THE CAUTIONS LISTED THROUGHOUT THIS MANUAL HAVE BEEN FOLLOWED. PAST EXPERIENCE OR SHORT CUTS MAY NOT BE COMPATIBLE WITH OUR POOLS, FOLLOW THE INSTALLATION MANUAL.

THE MANUFACTURER RESERVES THE RIGHT TO CHANGE OR IMPROVE ANY ITEM WITHOUT INCURRING ANY OBLIGATION TO MAKE ANY CHANGES OR IMPROVEMENTS ON ITEMS PREVIOUSLY SOLD AND TO DISCONTINUE MODELS OR CHANGE SPECIFICATIONS AT ANY TIME WITHOUT NOTICE.

THIS PRODUCT IS SOLD WITH A "LIMITED WARRANTY". THE TERMS AND CONDITIONS ARE SET FORTH IN THE "LIMITED WARRANTY" CERTIFICATE PACKED WITH EACH POOL. COPIES OF THE "LIMITED WARRANTY" ARE ALSO AVAILABLE UPON WRITTEN REQUEST.

YOUR LOCAL BUILDING CODE MAY REQUIRE OBTAINING A BUILDING PERMIT AND MAY HAVE REQUIREMENTS ON SETBACKS, BARRIERS, ETC. ANY HOME BUILT OR PREFABRICATED DECKS SHOULD CONFORM TO THE LOCAL CODES, AND BOCA NATIONAL BUILDING CODE. THE ELECTRICAL CODE MAY REQUIRE A PERMIT AND INSPECTION, AND USE OF GFCI DEVICES OR OTHER CONDITIONS. THE ELECTRICAL INSTALLATION MUST ALSO CONFORM TO ARTICLE 680 OF THE NATIONAL ELECTRIC CODE. INSTALL THE FILTER AND PUMP IN ACCORDANCE WITH THE MANUFACTURERS INSTRUCTIONS. **ARTICLE 680 STATES THAT YOU MUST BOND THE SWIMMING POOL PUMP TO THE SWIMMING POOL. THIS CAN BE DONE BY ATTACHING A #8 COPPER WIRE FROM THE BONDING LUG ON THE PUMP TO AN UNPAINTED METAL SURFACE ON THE POOL WALL OR BOTTOM CLIP.**

THE INSTALLATION OF AN ABOVE GROUND SWIMMING POOL WILL USUALLY REQUIRE THREE PEOPLE TO HELP ASSEMBLE IT.

**DANGER:** THIS POOL, EVEN IF SUPPLIED WITH A DEEP AREA, CONFORMS TO THE NATIONAL SWIMMING POOL INSTITUTE STANDARDS FOR A TYPE O, NON-DIVING POOL. DIVING, SLIDING OR JUMPING INTO THE POOL MAY CAUSE PARALYSIS, DEATH OR PERMANENT INJURY.





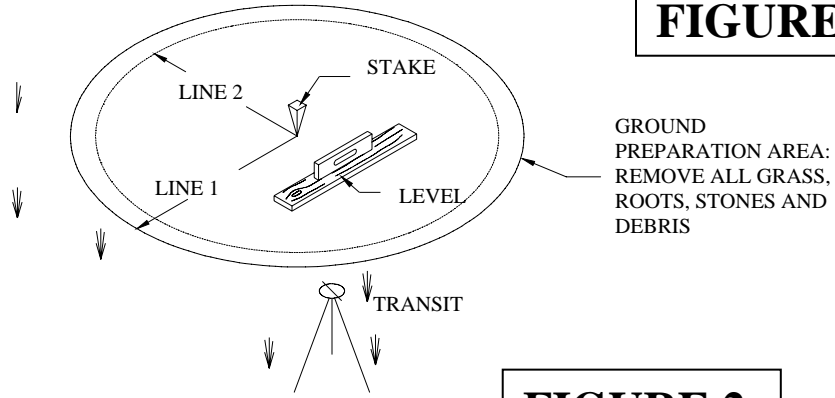
**Step 1:** Parts Identification:  
See figures in bill of material packet. Check for installation addendums.

**Step 2:** See Figure 1 and 2. Mark line "2" as shown in the table on page 3. Create a circle on line "2" by sliding the wall channels into the bottom clips. Place a 2" thick patio block under each bottom clip. If the bottom wall channel is on soft ground, place additional blocks in a pyramidal shape under the bottom clips for support. Also place additional blocks under the wall channel where needed. Dig 2" down for each block. *The top of the top block must be at grade level.* Place a stake adjacent to each wall channel to keep the circle in position during installation.

**SECTION II - POOL CONSTRUCTION**

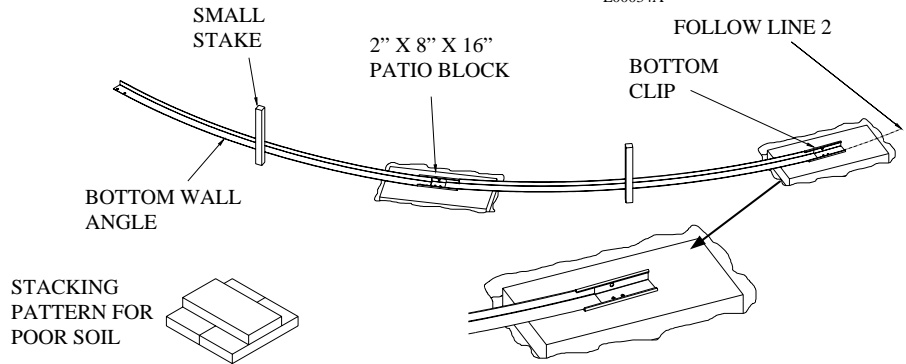
**FIGURE 1**

L00033A



**FIGURE 2**

L00034A



**Step 3:** See Figures 3 and 4. Place the required amount of s and in the pool area. Starting at the bottom clip on the downwind side of the pool, attach the upright slat to the bottom clip. Be sure the machine screw is to the inside of the pool. Working in a counter clockwise direction slide a wa ll slat onto the upright slat. The wall slat should be held about 30 degrees from the upright slat while sliding together. Then when seated, rotate the wall slat against the wall angle. The skimmer slat should be located between the fi rst two round side upright slats as you work around the pool. Do not locate the skimmer under the patio. The return slat must be located within 15 panels to the left of the skimmer as you face the pool.

Be careful not to let the wall fall over during assembly. The walls must remain plumb. If the wall falls over, disassemble fallen section and start again.

**CAUTION:** Installation of the wall in any other manner than precisely described above will cause extensive damage to the pool and may result in injury or death to those people in or around your pool.

After the pool wall is assembled, check the dimensions of the pool to insure that it has not shifted during assembly.

**Step 4:** See Figure 5 and Detail 5a. Install the skimmer throat gasket to each side of the pool wall and attach the skimmer to the wall as shown using hardware provided with the skimmer. Mount the skimmer at the center with only two (2) pan head screws at this point. Refer to skimmer instruction sheet.

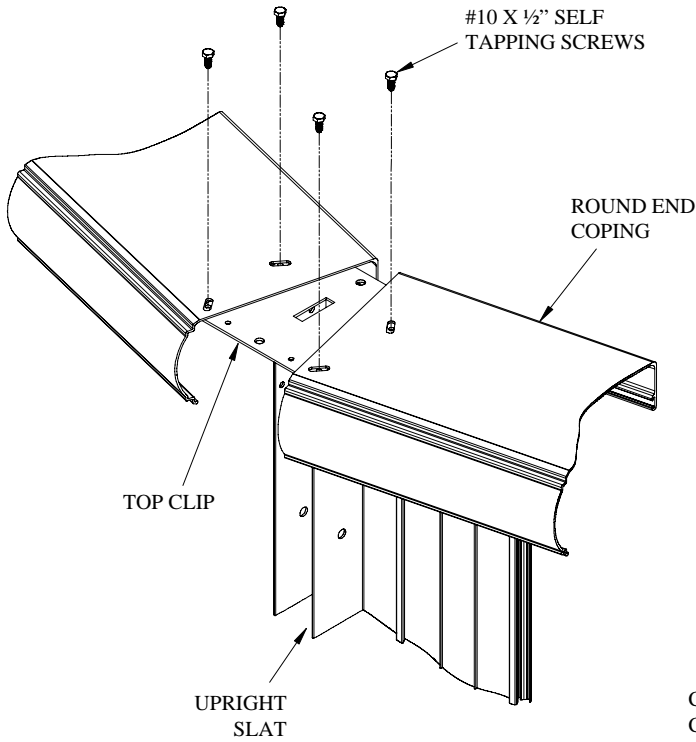
**Loosen the nuts from the bottom clip / upright slat attachment. If you are installing a walk deck on this pool Do Not completely remove the nut from the bolt. You will need this bolt to attach the walk deck posts.**

**If a pool fence or deck is to be installed, read those manuals before proceeding. Check care and maintenance manual for proper placement of safety information.**





**COPING COVER ATTACHMENT FOR ALUMINUM POOLS**

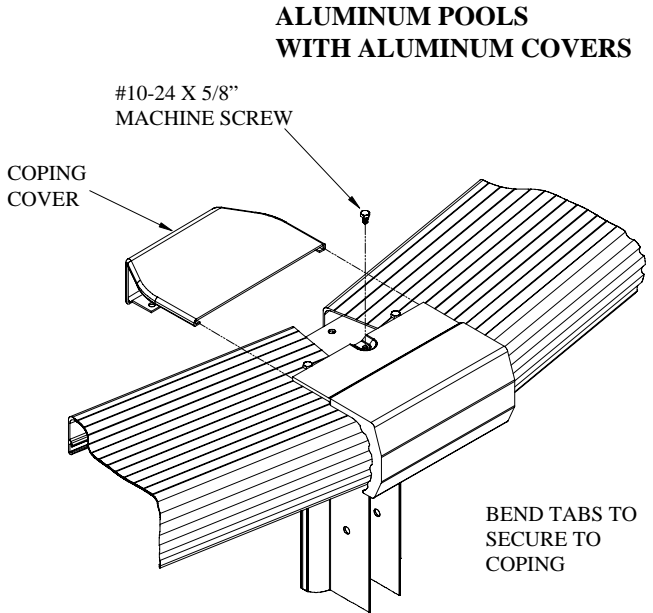


**ATTACH COPING TO  
OUTER SET OF HOLES**

**FIGURE 8**

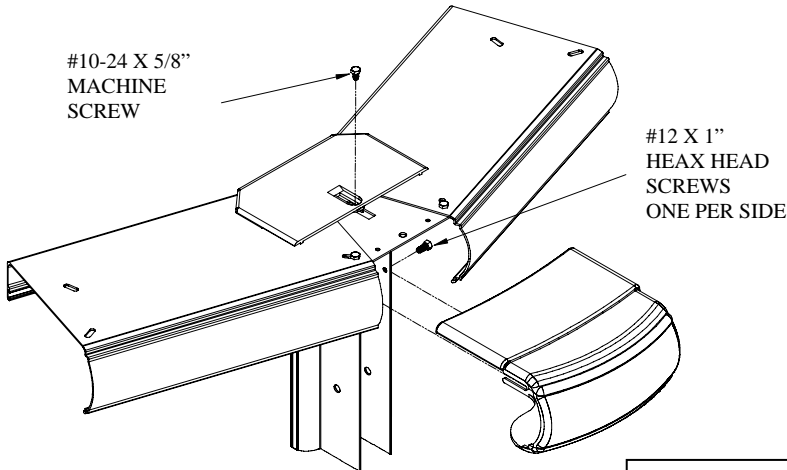
W00053

**ALUMINUM POOLS  
WITH RESIN COVERS**



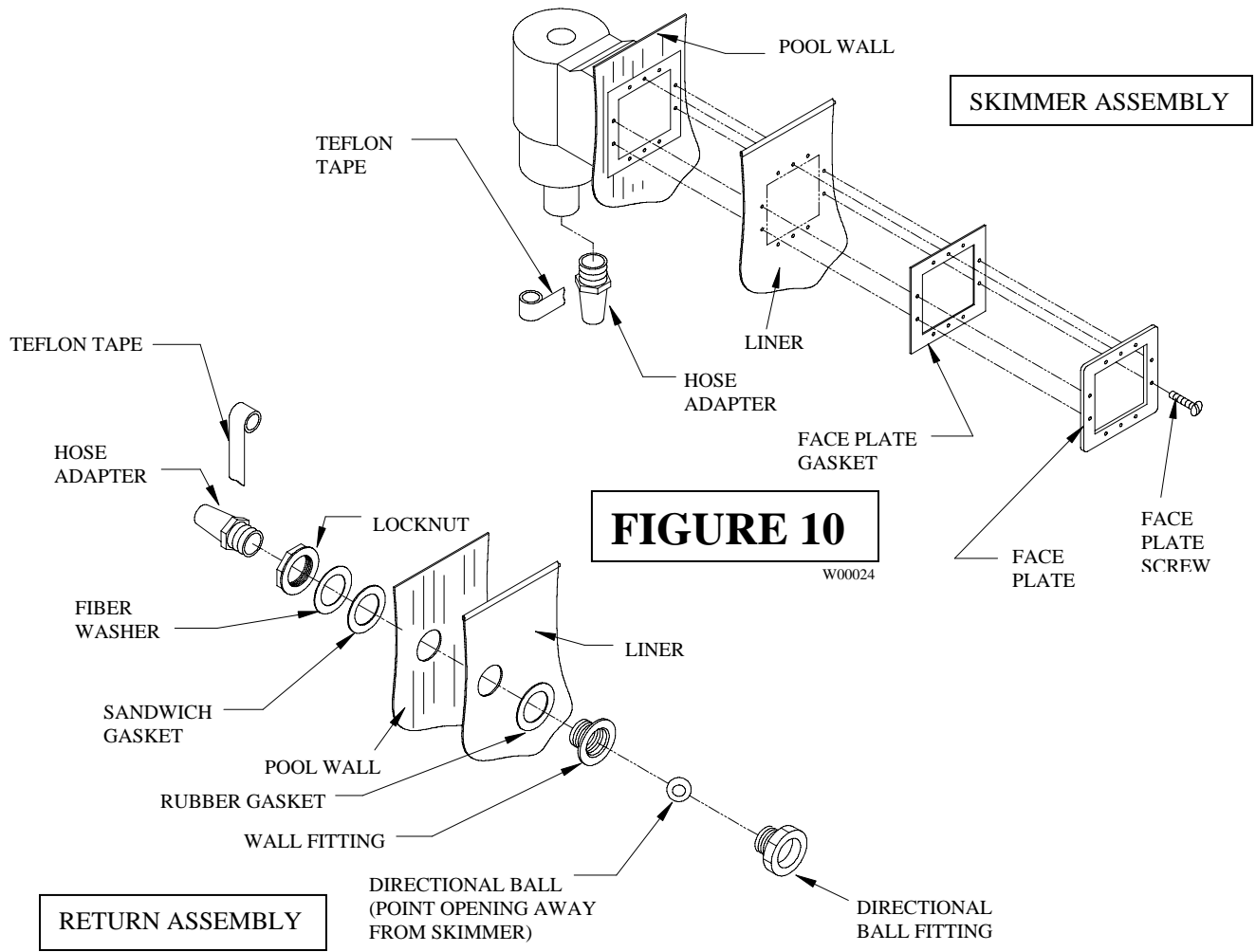
**FIGURE 9A**

A00028A

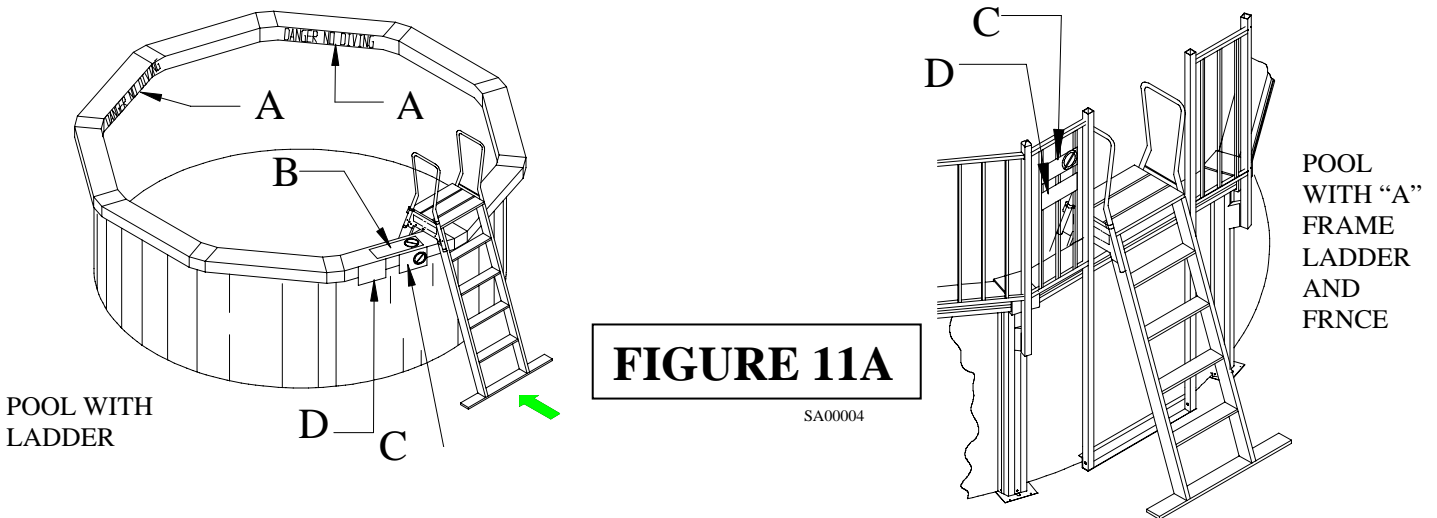


**FIGURE 9B**

A00028B



**FIGURE 10**  
W00024



**FIGURE 11A**  
SA00004

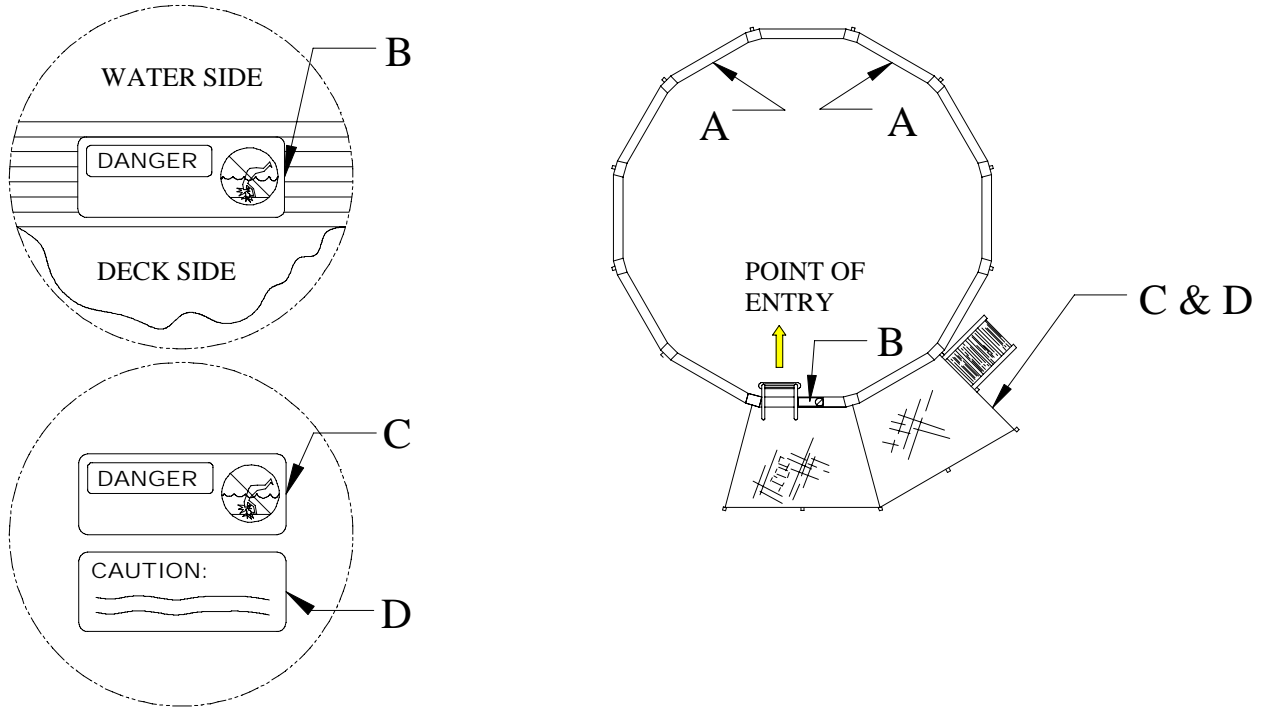
**NOTE:** Refer to Page 2, Warning section for Label Number Designations

**DANGER:** When a filter or any other electrical device is added to this pool, it is the responsibility of the purchaser to take all necessary precautions as set forth in article 680 of the National Electrical Code and local electrical codes. Failure to comply with this requirement may result in a dangerous or hazardous electrical condition, which may cause bodily injury or death.



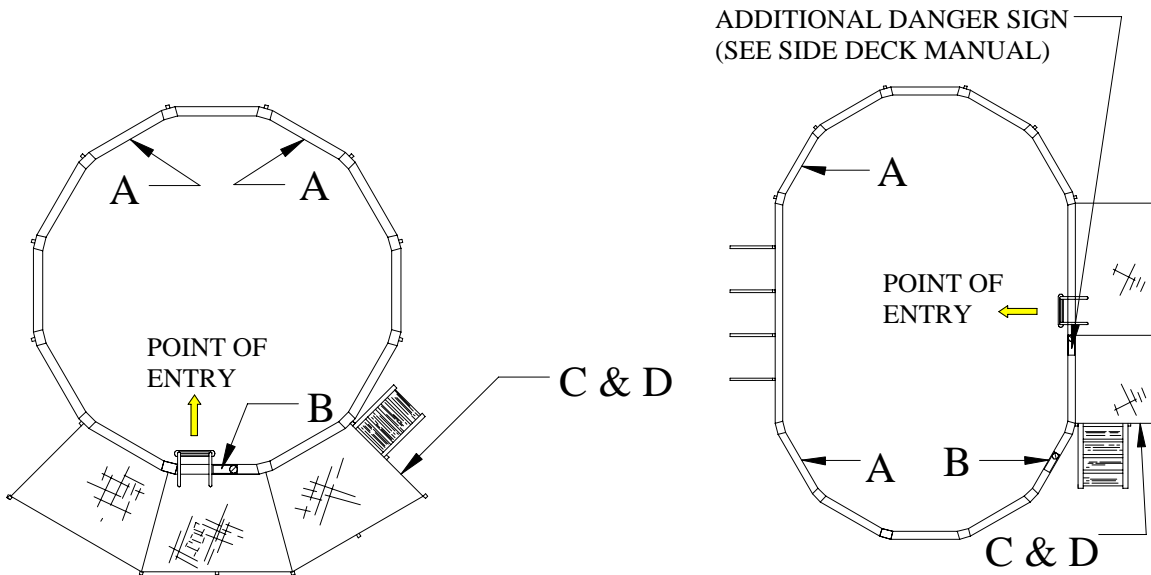
**Step 15:** Attach the remaining safety warning signs as described and shown in Figures 11A and 11B. If installing a fence or deck refer to those manuals for proper placement of safety information.

**Step 16:** Fill the pool up to the center of the skimmer, make sure that all fasteners are tightened properly and your pool is correctly assembled. Please read the “Sensible Way to Enjoy Your Pool” booklet and enjoy years of swimming and relaxation.



**FIGURE 11B**

SA00003B



**WARNING:** After completion of the pool, the pool must never be drained to less than 1/2 full. Damage to the structure and/or liner may result.